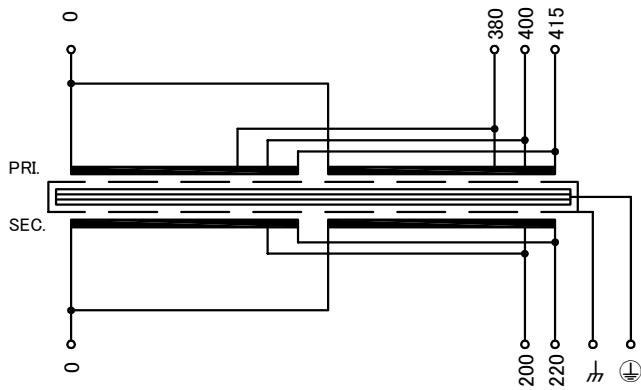


回路図  
Circuit Diagram



端子台配列 Terminal arrangement

|      |   |   |     |     |     |
|------|---|---|-----|-----|-----|
| PRI. | P | 0 | 380 | 400 | 415 |
|------|---|---|-----|-----|-----|

|      |   |   |     |     |   |   |
|------|---|---|-----|-----|---|---|
| SEC. | S | 0 | 200 | 220 | ⌘ | ⊥ |
|------|---|---|-----|-----|---|---|

端子台 Terminal

(締付トルク Tightening Torque)

PRI. PT-40 4P M4 (1.2~1.8N·m)

SEC. PT-80 3P M5 (2.0~3.0N·m)

⌘ ⊥ PT-80 2P M5 (2.0~3.0N·m)

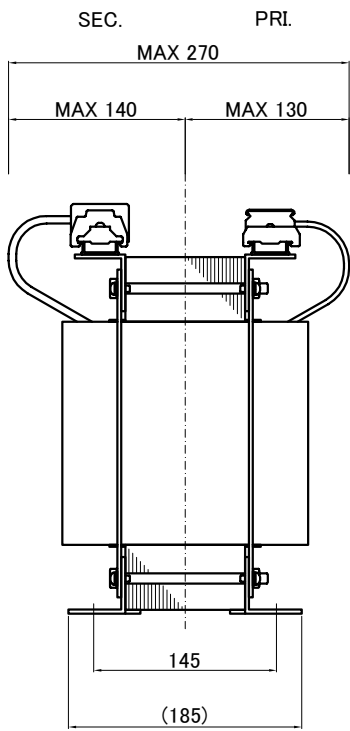
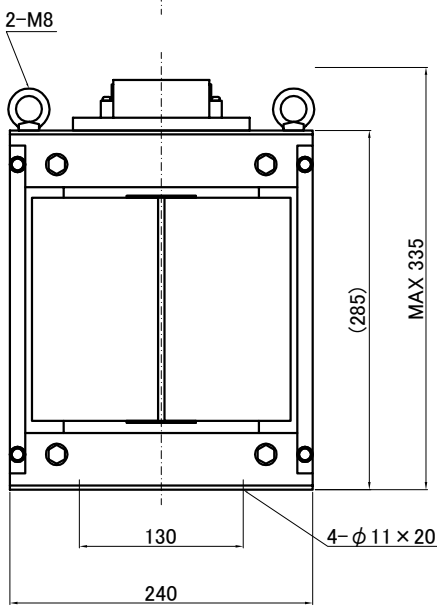
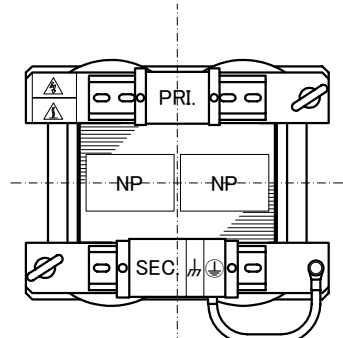
仕様

Specification

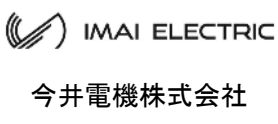
|                                      |   |
|--------------------------------------|---|
| 定格                                   | 連続  |
| Rating                               | Cont.   |
| 容量                                   | 4kVA  |
| Capacity                             |   |
| 相数                                   | 1~  |
| Phase                                |   |
| 1次電圧                                 | 380/400/415V                                  |
| Primary Volt.                        |   |
| 2次電圧                                 | 200/220V                                      |
| Secondary Volt.                      |   |
| 2次電流                                 | 20/18.2A                                      |
| Secondary Curr.                      |   |
| 絶縁抵抗                                 |   |
| Insulation Resistance                |   |
| P-E P-S S-E                          | 100MΩ Min. at DC500V                          |
| 絶縁耐圧                                 |   |
| Dielectric Withstand Volt.           |   |
| P-E                                  | AC 60Hz 4.0kV / 1min.                         |
| P-S                                  | AC 60Hz 5.0kV / 1min.                         |
| S-E                                  | AC 60Hz 2.5kV / 1min.                         |
| トランス質量                               | 42kg  |
| Transformer Mass                     |   |
| 絶縁種別                                 | Class 180(H)                                  |
| Insulation Class                     |   |
| 定格周囲温度                               | 40°C  |
| Ambient Temp.                        |   |
| 適用規格                                 | UL5085-1, UL5085-2                            |
| Standard                             | C22.2   |
|                                      | EN61558-1, EN61558-2-4                        |
|                                      | IEC61558-1, IEC61558-2-4                      |
|                                      | BS EN IEC 63000                               |
| ULファイルNo.                            | E219074                                       |
| UL File No.                          |   |
| EN, IECマーク                           | Non short circuit proof isolating transformer |
| EN, IEC Mark                         |   |
| 推奨保護装置定格                             |   |
| Recommended protection device rating |   |
|                                      | Pri. Circuit Breaker 20A                      |
|                                      | Sec. Circuit Breaker 20A                      |
|                                      | (IEC60947-2 or IEC60934)                      |



|                   |  |
|-------------------|--|
| 訂正者<br>Checked by |  |
| 変更<br>Rev.        |  |
| 訂正事項<br>Comment   |  |
| 訂正日<br>Date       |  |
| 訂正記号<br>Rev. No.  |  |
| 訂正者<br>Checked by | N.Marukai                                  |
| 改訂<br>Rev.        | 1  |
| 訂正事項<br>Comment   | EN, IEC standard update, BS standard added |
| 訂正日<br>Date       | 21.07.01                                   |
| 訂正記号<br>Rev. No.  | △  |



質量は標準仕様の値を記入しており、実測値と異なる場合もあります。



|               |                                |
|---------------|--------------------------------|
| 設計 DESIGNED   | 品名 DESCRIPTION                 |
| DATE 19.07.01 | Dry Type Isolating Transformer |
| DRAWN         | 尺度 SCALE                       |
| N.Marukai     | 単位 UNIT                        |
|               | mm                             |
| APPROVED      | 表面処理 FINISH                    |
| M.Fujitaka    |                                |

|            |                 |
|------------|-----------------|
| 概要 REMARKS | 型名 MODEL        |
|            | IUH1-B4000S-773 |
|            | 図番 DWG. NO.     |
|            | SIUH1B4000773   |
| 改訂 Ver.    | 1               |