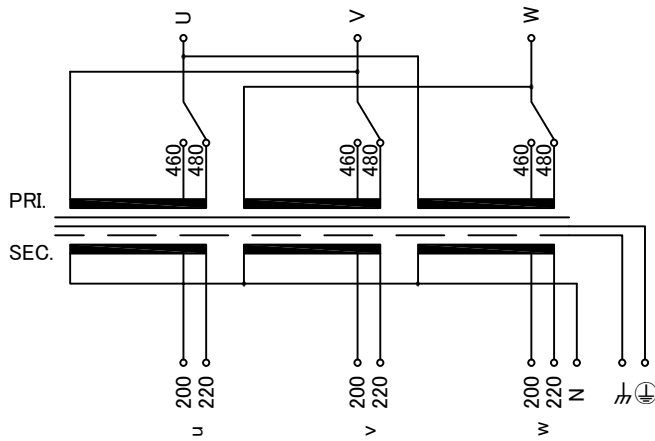
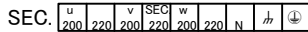
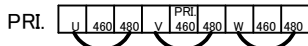


回路図  
Circuit Diagram

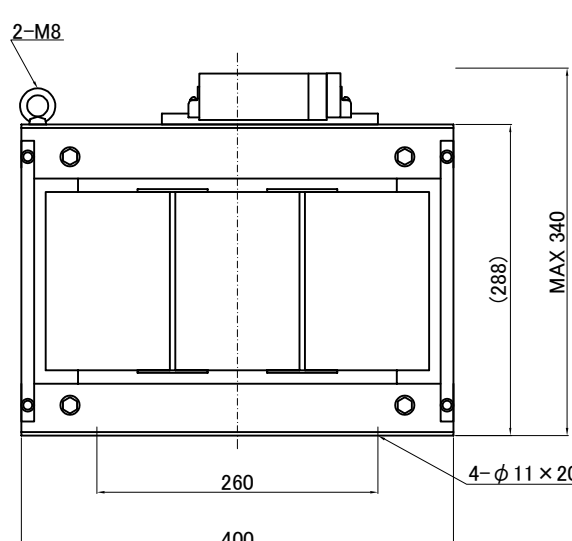
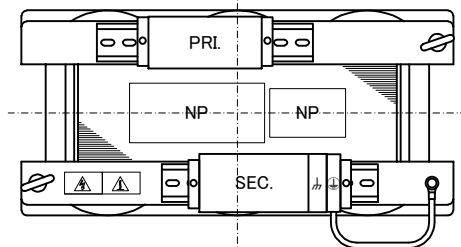


端子台配列 Terminal arrangement

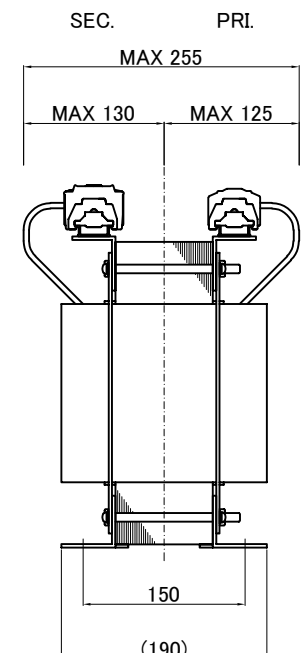


端子台 Terminal (締付トルク Tightening Torque)

|      |            |    |    |              |
|------|------------|----|----|--------------|
| PRI. | FPS(FP)-40 | 9P | M4 | (1.2~1.8N·m) |
| SEC. | FPS(FP)-80 | 7P | M5 | (2.0~3.0N·m) |
| カ    | FPS(FP)-80 | 1P | M5 | (2.0~3.0N·m) |
| ⊕    | TFE40      | 1P | M4 | (1.4~1.8N·m) |



|  |   |
|--|---|
| 仕様<br>Specification                              |   |
| 定格<br>Rating                                     | 連続 結線<br>Cont. Connection $\Delta-N$  |
| 容量<br>Capacity                                   | 6.93 kVA  |
| 相数<br>Phase                                      | 3~  |
| 1次電圧<br>Primary Volt.                            | 460/480V  |
| 2次電圧<br>Secondary Volt.                          | 200/220V  |
| 2次電流<br>Secondary Curr.                          | 20/18.2A  |
| 絶縁抵抗<br>Insulation Resistance                    |   |
| P-E P-S S-E                                      | 100MΩ Min. at DC500V  |
| 絶縁耐圧<br>Dielectric Withstand Volt.               |   |
| P-E  | AC 60Hz 4.0kV / 1min.   |
| P-S  | AC 60Hz 5.0kV / 1min.   |
| S-E  | AC 60Hz 2.5kV / 1min.   |
| トランス質量<br>Transformer Mass                       | 70kg  |
| 絶縁種別<br>Insulation Class                         | Class 180(H)  |
| 定格周囲温度<br>Ambient Temp.                          | 40°C  |
| 適用規格<br>Standard                                 | UL1561<br>C22.2 No. 47-M90<br>EN61558-1, EN61558-2-4<br>IEC61558-1, IEC61558-2-4<br>BS EN IEC 63000 |
| ULファイルNo.<br>UL File No.                         | E258403   |
| EN, IECマーク<br>EN, IEC Mark                       | Non short circuit proof<br>isolating transformer  |
| 推奨保護装置定格<br>Recommended protection device rating |   |
| Pri. Circuit Breaker                             | 20A   |
| Sec. Circuit Breaker                             | 20A   |
|  | (IEC60947-2 or IEC60934)  |



質量は標準仕様の値を記入しており、実測値と異なる場合があります。

|                   |  |             |                  |            |
|-------------------|--|-------------|------------------|------------|
| 訂正者<br>Revised By | 訂正事項<br>Content                                    | 訂正日<br>Date | 訂正記号<br>Rev. No. | 改訂<br>Ver. |
| N.Marukai         | Corrected the ambient temperature value(25°C→40°C) | 19.04.16    | △                | 2          |
| N.Marukai         | Rewrite drawing                                    | 21.07.01    |                  | 2          |
| N.Marukai         | EN, IEC standard updated, BS standard added        | 21.07.01    | △                | 3          |
| N.Marukai         | Additional Terminal(FPS-40,FPS-80)                 |             | △                | 5          |
| N.Marukai         |  |             |                  | 5          |

IMAI ELECTRIC  
今井電機株式会社

|                        |                                |
|------------------------|--------------------------------|
| 設計<br>DESIGNED         | 品名<br>DESCRIPTION              |
| DATE 13.02.02          | Dry type Isolating Transformer |
| DRAWN<br>N.Marukai     | 尺度<br>SCALE                    |
| APPROVED<br>S.Murakami | 単位<br>UNIT                     |
|                        | 表面処理<br>FINISH                 |
|                        | 型名<br>MODEL                    |
|                        | 図番<br>DWG.NO.                  |

|                   |
|-------------------|
| 摘要<br>REMARKS     |
| IEH3-DYB6930S-513 |
| SDYB6930S513      |
| 改訂<br>Ver. 5      |